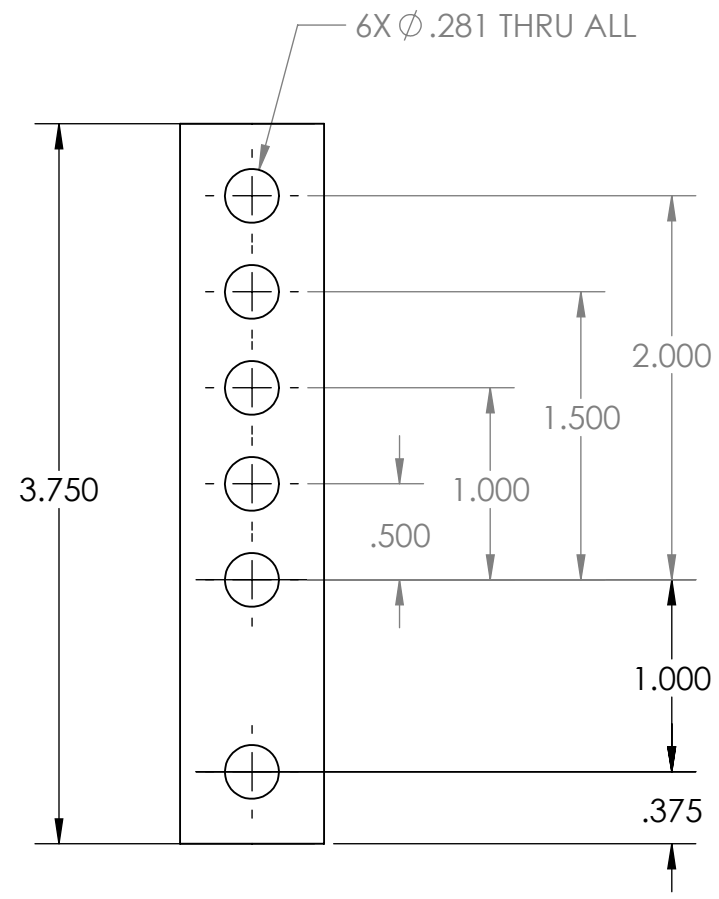
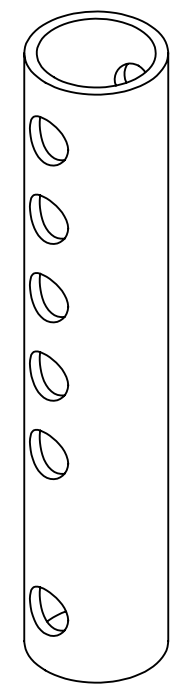
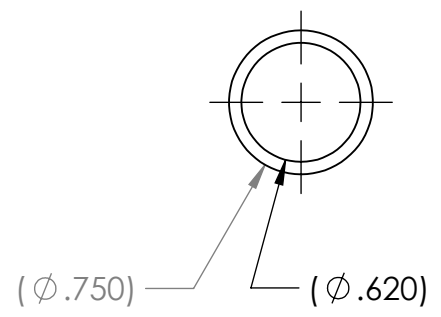


4

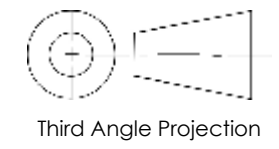
3

2

1



- NOTES:
- MAT'L: ϕ .750 OD, ϕ .620 ID 6061-T6 ALUMINUM TUBE
 - BREAK SHARP EDGES



PROPRIETARY AND CONFIDENTIAL
 THE INFORMATION CONTAINED IN THIS DRAWING IS THE SOLE PROPERTY OF <INSERT COMPANY NAME HERE>. ANY REPRODUCTION IN PART OR AS A WHOLE WITHOUT THE WRITTEN PERMISSION OF <INSERT COMPANY NAME HERE> IS PROHIBITED.

		UNLESS OTHERWISE SPECIFIED:		NAME	DATE	All for the Lord Design Co.	
		DIMENSIONS ARE IN INCHES		DRAWN	J. Bures	12/19/16	TITLE:
		TOLERANCES:		CHECKED			ADJUSTER PIPE
		FRACTIONAL \pm		ENG APPR.			SIZE
		ANGULAR: MACH \pm BEND \pm		MFG APPR.			DWG. NO.
		TWO PLACE DECIMAL \pm .02		Q.A.			B JB-ADJUST
		THREE PLACE DECIMAL \pm .010		COMMENTS:			REV
		INTERPRET GEOMETRIC TOLERANCING PER:					1
		MATERIAL					SCALE: 1:1
NEXT ASSY	USED ON	FINISH					WEIGHT:
APPLICATION		DO NOT SCALE DRAWING					SHEET 1 OF 1

4

3

2

1