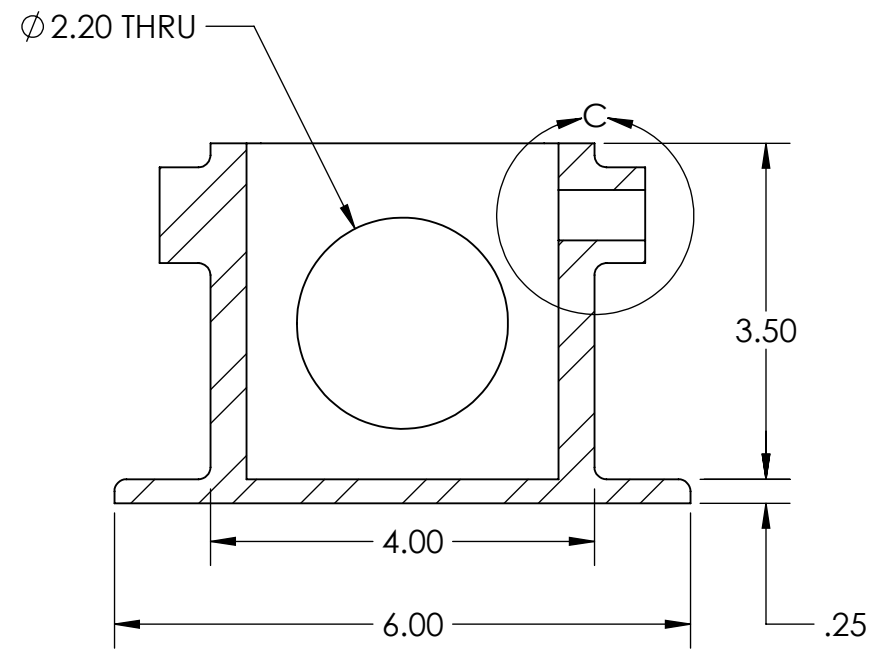
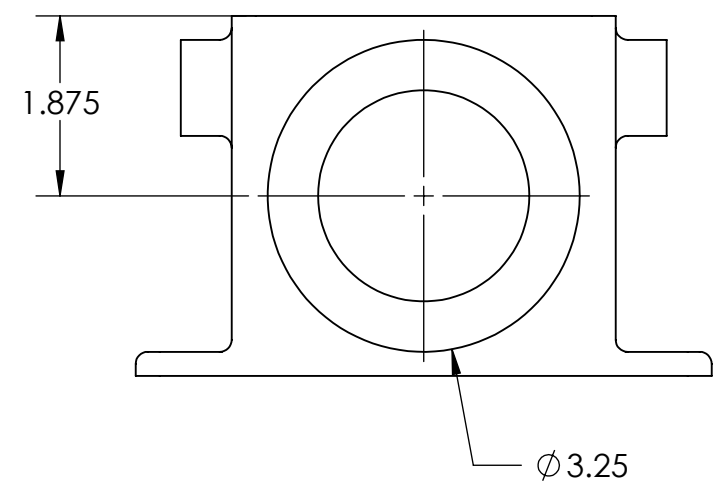
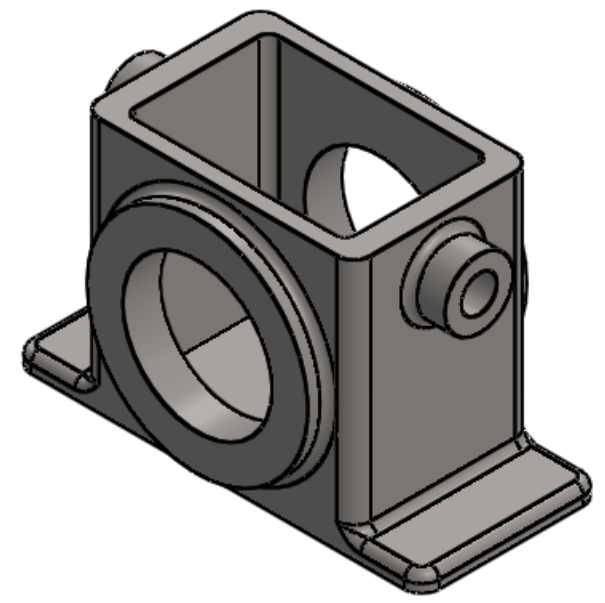
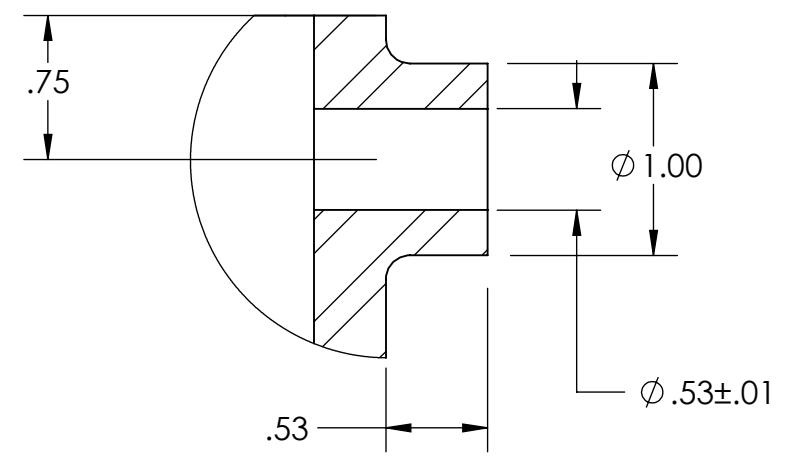
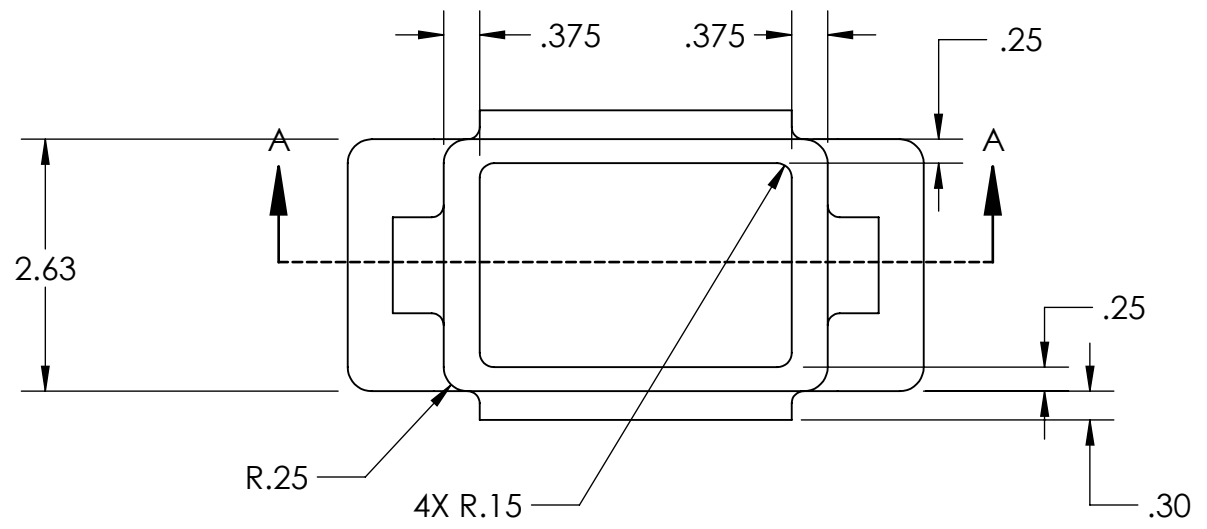


4

3

2

1



NOTES:

UNLESS OTHERWISE SPECIFIED, ALL BLEND RADII ARE 1/8" DEBURR ALL SHARP EDGES

PROPRIETARY AND CONFIDENTIAL
 THE INFORMATION CONTAINED IN THIS DRAWING IS THE SOLE PROPERTY OF <INSERT COMPANY NAME HERE>. ANY REPRODUCTION IN PART OR AS A WHOLE WITHOUT THE WRITTEN PERMISSION OF <INSERT COMPANY NAME HERE> IS PROHIBITED.

		UNLESS OTHERWISE SPECIFIED:	NAME	DATE	TITLE: HOUSING
		DIMENSIONS ARE IN INCHES	DRAWN		
		TOLERANCES:	CHECKED		
		FRACTIONAL \pm	ENG APPR.		
		ANGULAR: MACH \pm BEND \pm	MFG APPR.		
		TWO PLACE DECIMAL $\pm .02$	Q.A.		SIZE DWG. NO. REV B JB-MNT103
		THREE PLACE DECIMAL $\pm .010$	COMMENTS:		
		INTERPRET GEOMETRIC TOLERANCING PER:			SCALE: 1:2 WEIGHT: 4.454 SHEET 1 OF 2
		MATERIAL			
		Cast Alloy Steel			
		FINISH			
NEXT ASSY	USED ON				
APPLICATION		DO NOT SCALE DRAWING			

4

3

2

1

B

B

A

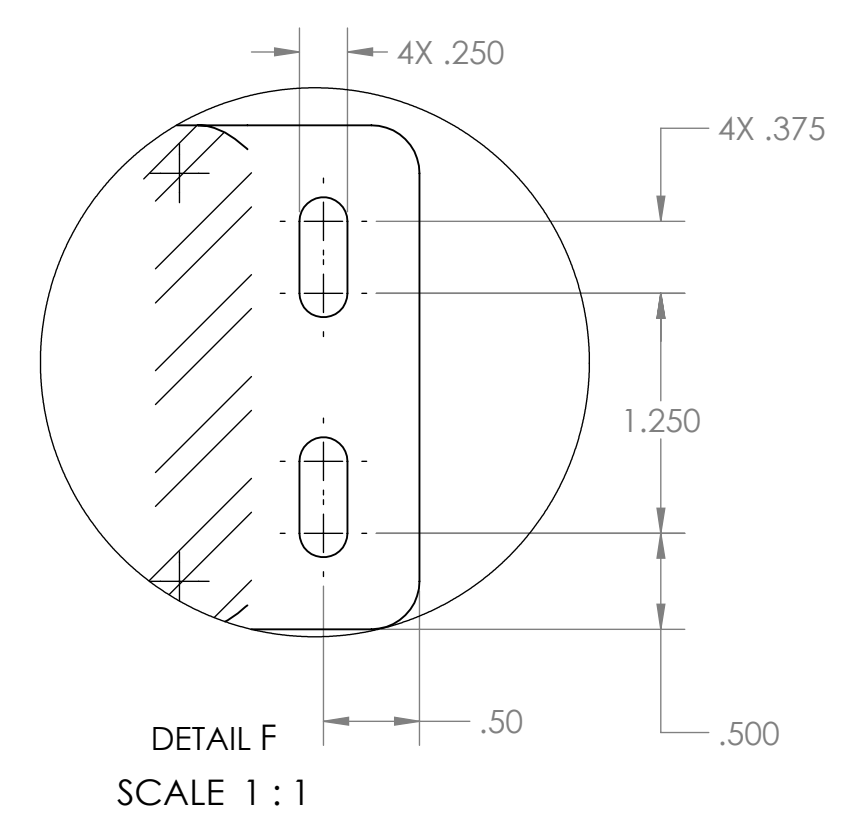
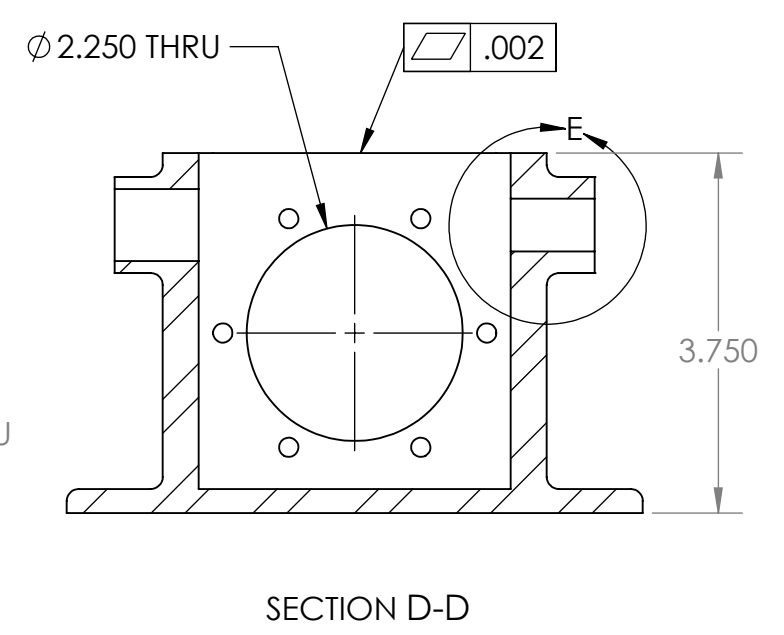
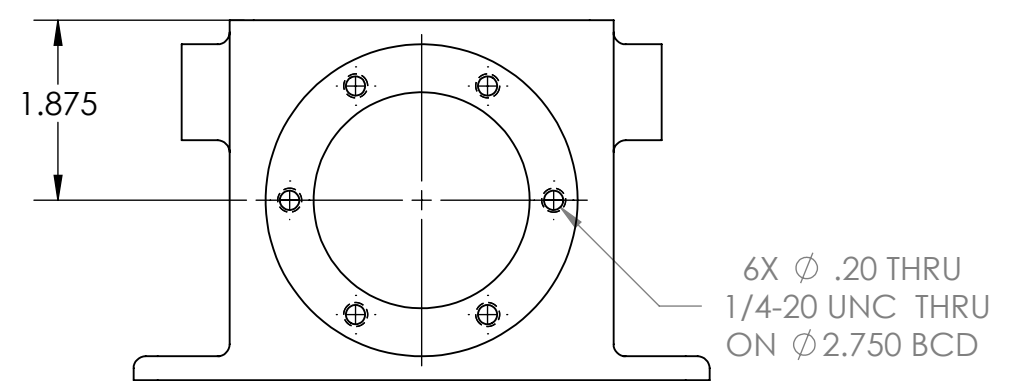
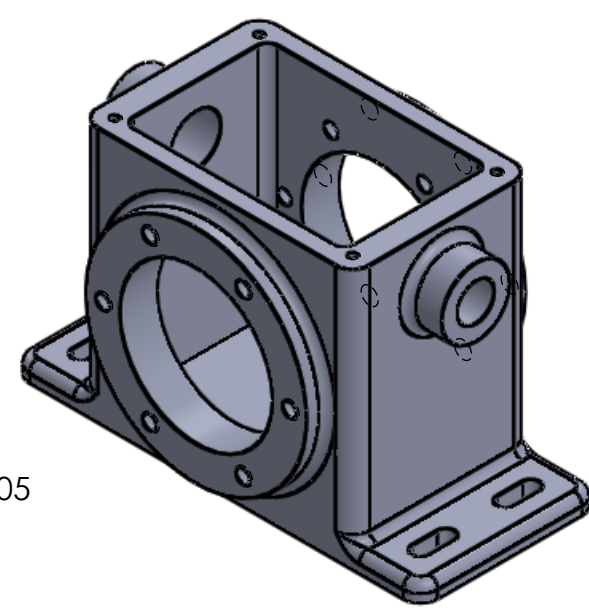
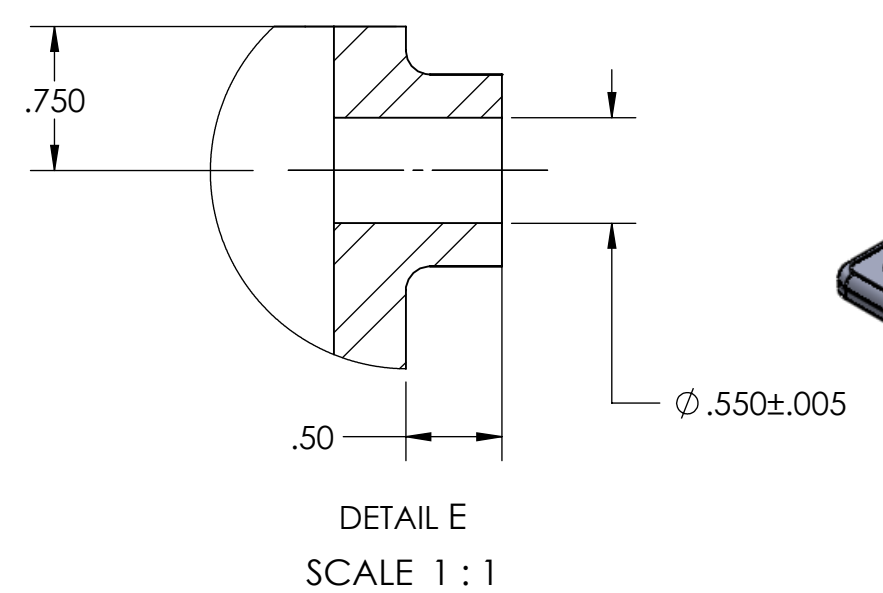
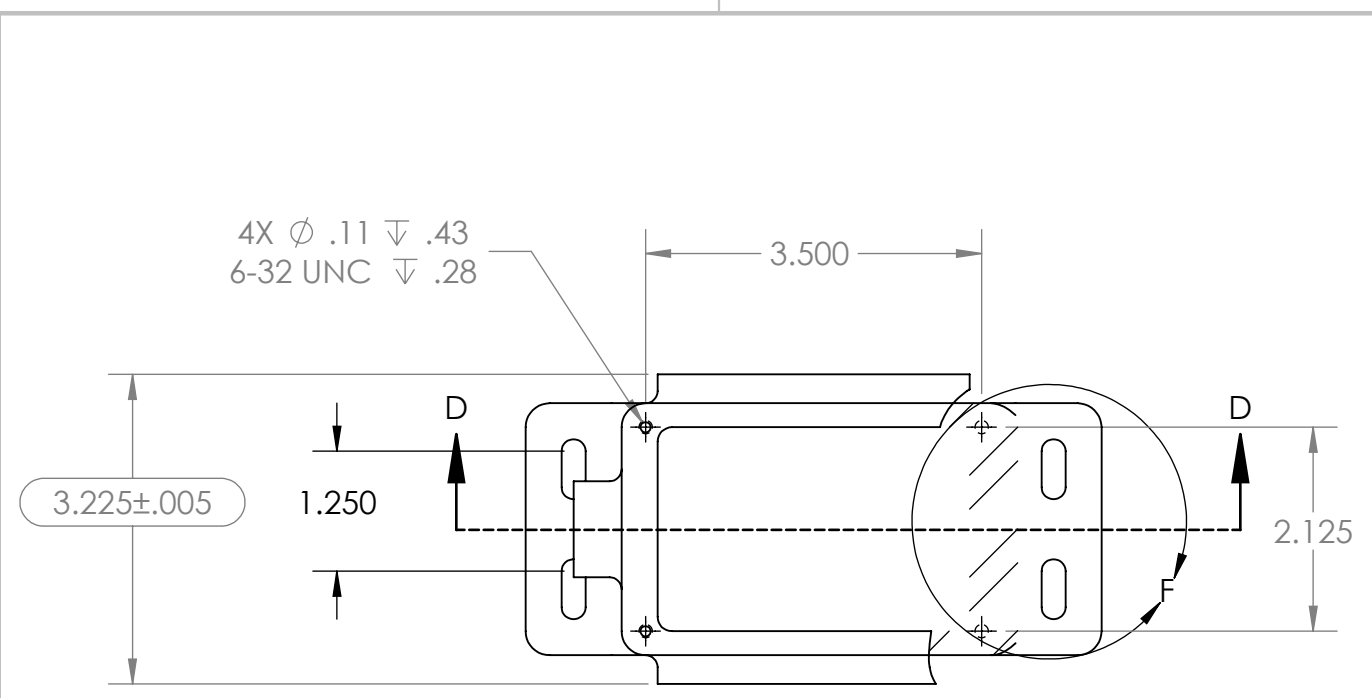
A

4

3

2

1



NOTES:
DEBURR ALL SHARP EDGES
ALL FEATURES ARE SYMMETRICAL UNLESS OTHERWISE STATED

PROPRIETARY AND CONFIDENTIAL
THE INFORMATION CONTAINED IN THIS DRAWING IS THE SOLE PROPERTY OF <INSERT COMPANY NAME HERE>. ANY REPRODUCTION IN PART OR AS A WHOLE WITHOUT THE WRITTEN PERMISSION OF <INSERT COMPANY NAME HERE> IS PROHIBITED.

		UNLESS OTHERWISE SPECIFIED:		NAME	DATE
		DIMENSIONS ARE IN INCHES TOLERANCES: FRACTIONAL ± ANGULAR: MACH ± BEND ± TWO PLACE DECIMAL ± .02 THREE PLACE DECIMAL ± .010		DRAWN	
		INTERPRET GEOMETRIC TOLERANCING PER:		CHECKED	
		MATERIAL Cast Alloy Steel		ENG APPR.	
NEXT ASSY	USED ON	FINISH		MFG APPR.	
APPLICATION		DO NOT SCALE DRAWING		Q.A.	
				COMMENTS:	
TITLE: HOUSING					
SIZE	DWG. NO.	REV			
B	JB-MNT103				
SCALE: 1:2		WEIGHT: 4.454	SHEET 2 OF 2		

4

3

2

1

B

B

A

A